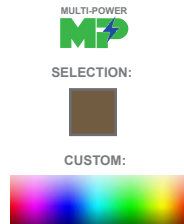


LFX-XL SERIES Outdoor Lighting

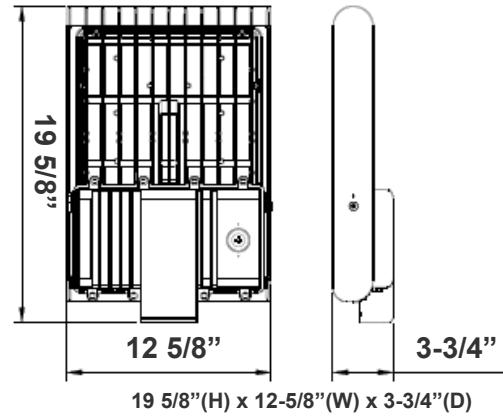
LFX-XL-150-300W-50K-480V



Customer Name: _____

Project Name: _____

Note: _____ Type: _____



Ideal for general site lighting, alleys, loading docks, doorway, pathway, and parking areas.

Features

- DLC Premium & LED High-Lumen Floor lights
- Solid State Lighting Technology for Long Life
- No Maintenance Needed and High-Efficiency
- 70,000 Hours Rated Life
- 7-Year Warranty
- Optic Lens Type: III
- Multi-Power - The Switch is on the bottom of the Fixture

Technical Specifications

Electrical:

- Voltage: 480V AC/50~60 Hz
- Wattage: 150/ 200/ 240/ 300W
- Power Factor: >0.9
- Efficacy: 145 LPW

Mechanical:

- With Snap-on & Bolt Mounting Options for One- Person Installations. Select a Mounting Option (Sold Separately)
- LED: Philips Lumileds Luxeon 2835 High Flux LED
- Die-cast Aluminum Housing with Powder Coat Finish (Dark Bronze)
- IP Rating: IP65
- Effective Projected Areas (EPA's) are: Front = 0.38 ft², Side = 0.30 ft², Face = 1.05 ft²
- Operating Temperature: -40°F to 104°F
- Suitable for Wet Locations

Lighting:

- Dimming: 0~10V dimmable
- Optic Lens Type: III
- Cord Type: 6' SJTW 18/3 AWG cable
- Total Lumens: 44000LM Max.
- Color Temperature: 3000K/ 4000K/ 5000K
- Color Rendering Index: ≥ 82
- Beam Angle: 90° X 120°

Applications:

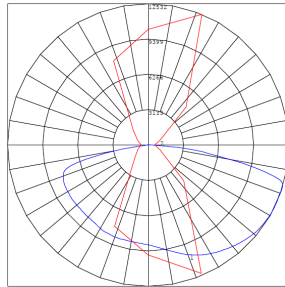
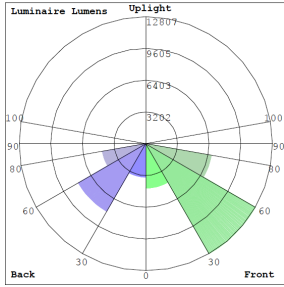
- Ideal for general site lighting, alleys, loading docks, doorway, pathway and parking areas.
- Replace existing HID flood lights/ wall packs

Other Models:

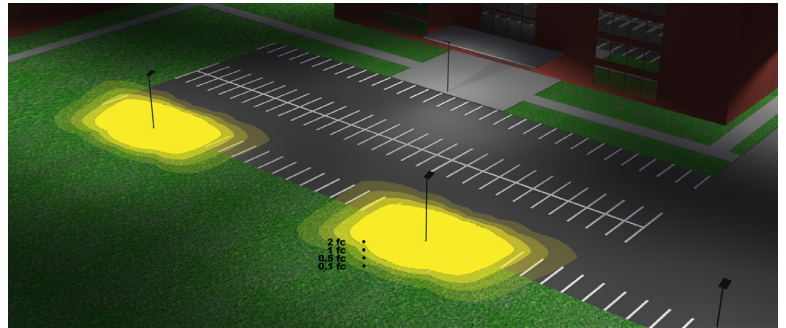
- 150W | 21400LM | LFX-LG-50-150W-50K-480V



Photometrics: LFX-XL-150-300W-50K-480V



BUG Rating: B4-U0-G4



Area 60'x 115' Mounting Height: 20'

Other Views:



Side View



Front View



Back View

Performance Table: LFX-XL-150-300W-50K-480V

MODEL NO.	Wattage	Voltage	Lumens	Color Temp.	BUG Rating	LPW
LFX-XL-150-300W-30K-480V	150W	480V	23500LM	3000K 4000K 5000K	B4-U0-G4	145
			24200LM			
			25100LM			
			29600LM			
LFX-XL-150-300W-40K-480V	200W		30500LM			
			31850LM			
			35000LM			
			36000LM			
LFX-XL-150-300W-50K-480V	240W		38000LM			
			42150LM			
			43500LM			
			44000LM			
LFX-XL-150-300W-50K-480V	300W					

Example:

1. LFX-XL-150-300W-50K-480V
2. LFX-XL-150-300W-50K-480V
WEC-8RC
3. LFX-XL-150-300W-50K-480V
WEC-8RC
OPT-SEN-3MR-3

(For LFX 300W 5000K fixture 480V)

(For LFX 300W 5000K fixture 480V)
(For Remote Control)

(For LFX 300W 5000K fixture 480V)
(For Remote Control)
(For Programmable Microwave BI-Level Motion Sensor)




Sample Ordering

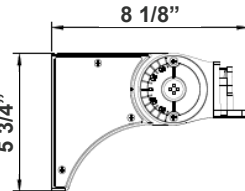

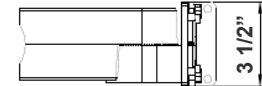
Model	Size	Min.Wattage	Max.Wattage	Color Temp.	Volt
LFX	XL	150	300W		480V


30K = 3000K
 40K = 4000K
 50K = 5000K

Mounting Options:

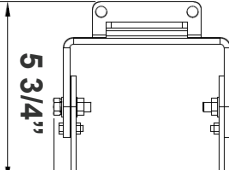





LFX-ASA
Adjustable Straight Arm
3 1/3" x 7 7/8"


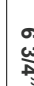




LFX-YK
Yoke
5 3/4" x 6" x 2"

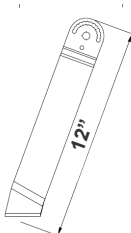
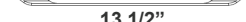



LFX-EXT
Straight Arm
3 1/3" x 6 3/4" x 4 3/8"

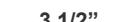




LFX-TR-B
U Bracket
13 1/2" x 12"

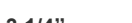




LFX-SF
Slip Fitter
3 1/3" x 7 7/8"



LFX-SF + LFX-PASF
Pole Adapter for Slip Fitter
6 1/8" x 3 1/4" x 3"



Color Options: LFX-XL-150-300W-50K-480V
 Custom Color Available

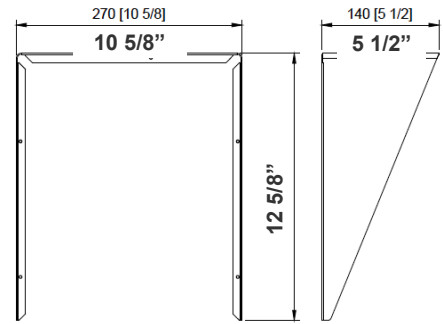
Black Silver White **Dark Bronze** Green Red Yellow
Default color



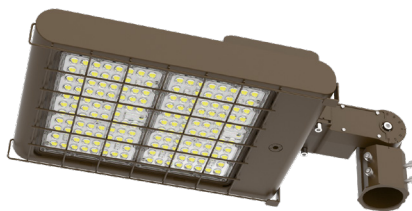
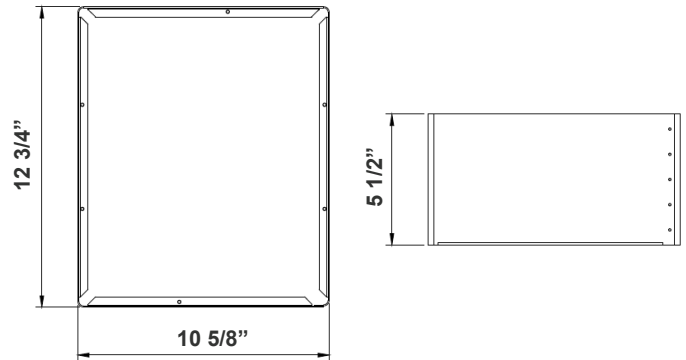
Shroud & Wire Guard: LFX-XL-150-300W-50K-480V



LF-SHROUD-B
 Shroud
 12 5/8" x 10 5/8" x 5 1/2"



LF-SHROUD-E
 Full-Glare Shroud
 12 3/4" x 10 5/8" x 5 1/2"



LFX-WG-B
 Wire Guard

